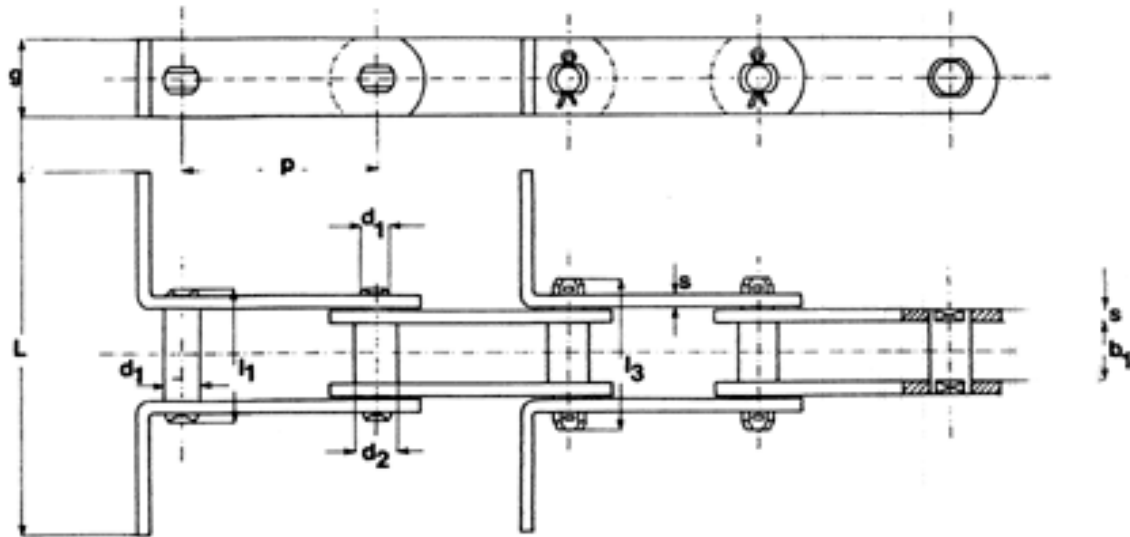


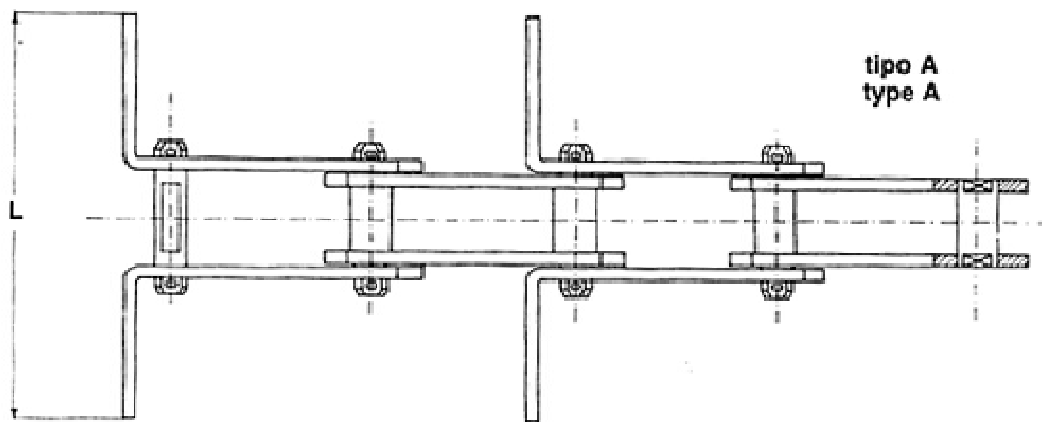
DIMENSIUNI LANT REDLER CONFORM DIN 8165



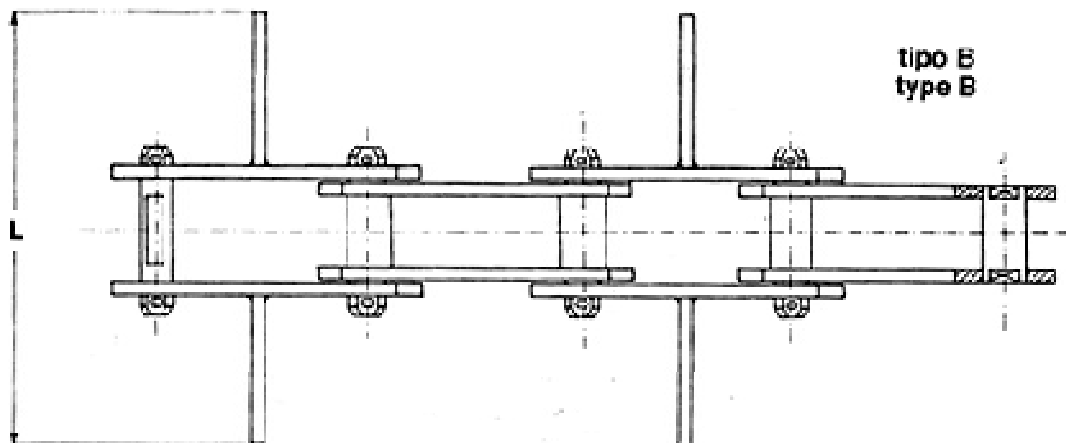
	p	b1	d1	d2	g	s	l1	l3	L	Fb
DIN	mm	mm	mm	mm	mm	mm	mm	mm	mm	N
Nr		min					max	max		
FV 40	63, 80, 100, 125, 150, 160	18	10	15	25	4	37	44	C O T E L A C E R E R E	40000
FV 63	63, 80, 100, 125, 150, 160	22	12	18	30	4	46	55		63000
FV 90	80, 100, 125, 150, 160	25	14	20	35	5	53	62		90000
FV 112	100, 125, 150, 160, 175, 200	30	16	22	40	6	63	72		112000
FV 140	100, 125, 150, 160, 175, 200	35	18	26	45	6	68	80		140000
FV 180	125, 150, 160, 175, 200, 250	45	20	30	50	8	86	100		180000
FV 250	125, 150, 160, 175, 200, 250	55	26	36	60	8	98	114		250000
FV 315	150, 160, 175, 200	65	30	42	70	10	117	133		315000

VARIANTE CONSTRUCTIVE

a. Racleti indoiti



b. Racleti sudati



c. Racleti cu eclisa interioara falsa

